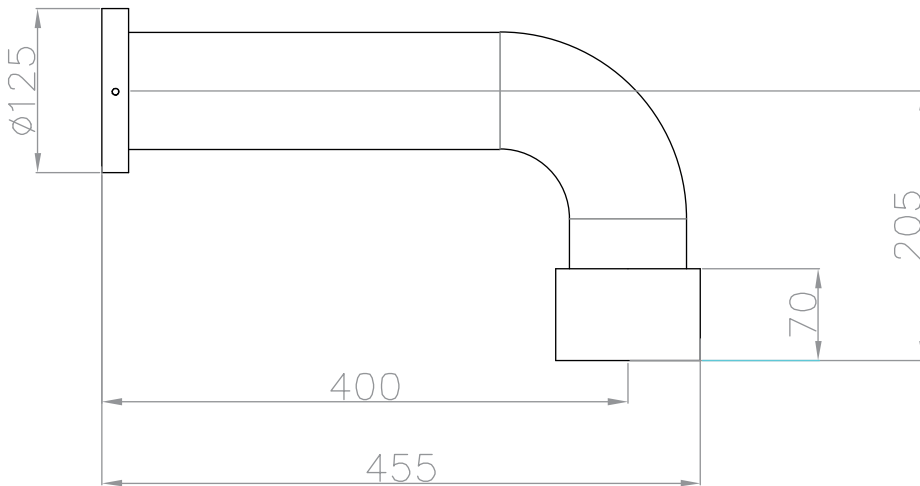
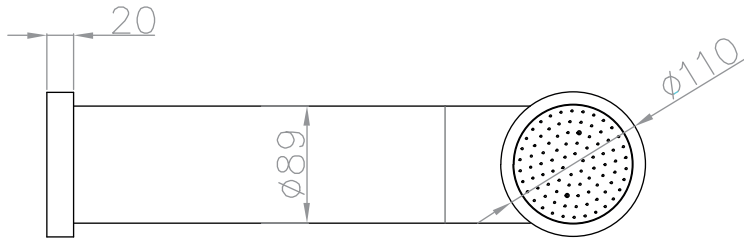




JEE-O soho wall shower



Article code:

700-6900

● RAW

700-6902

● 1.5 Electro powder spray hammercoated black

Material:

Stainless Steel r304

Cleaning instructions:

download JEE-O shower and taps manual on our website: www.jee-o.com

Flow at water of 38°C / 100,4°F:

12l / 3.2gal p/m at 3bar pressure

Connection:

G 1/2" (ø15mm / 0.6") nylon^(out)/epdm⁽ⁱⁿ⁾ flexhose with brass swivel British Standard Pipe (BSP)

Thread:

Dimension package:

L 52 x W 34 x H 19 cm

Total weight:

3.8 kg

Package weight:

0.4 kg

7 year warranty - The general conditions can be found on our website: www.jee-o.com/downloads

HS code:

84818011

Approvals:



JEE-O soho wall shower specifications | August 2021

Models are subject to change and specs may contain typographical errors

Slight variations in the aesthetic appearance of the product, including the color, may occur after exposure to external influences such as sunlight, pollution or harmful chemicals