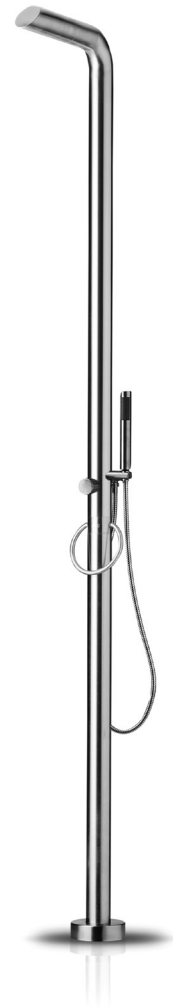
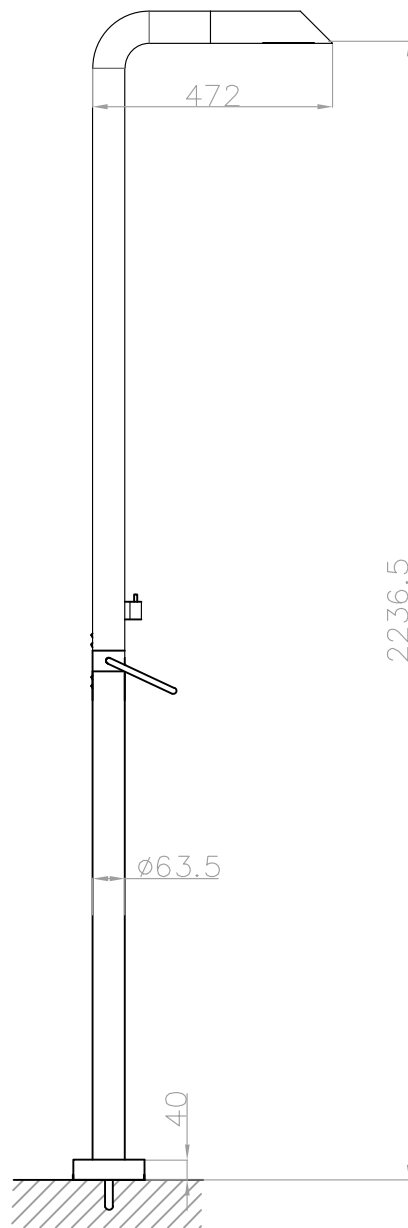
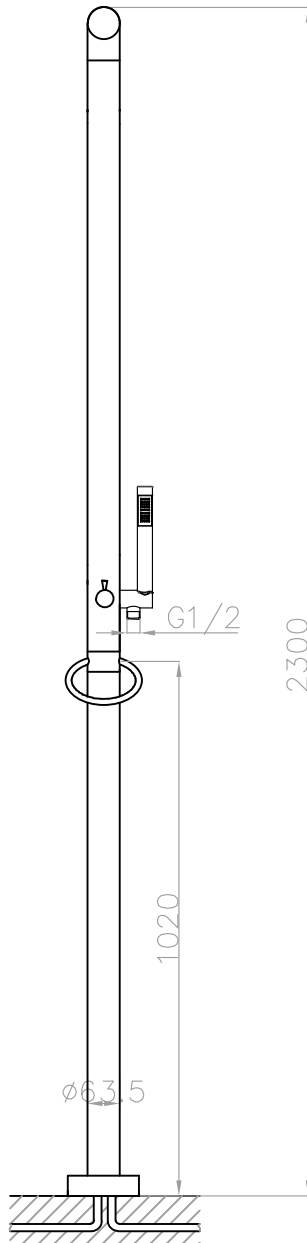




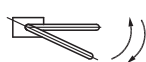
# JEE-O pure shower O2 specifications

by Lammerit Moerman

JEE-O by DADO

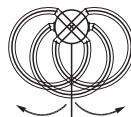


middle down - off



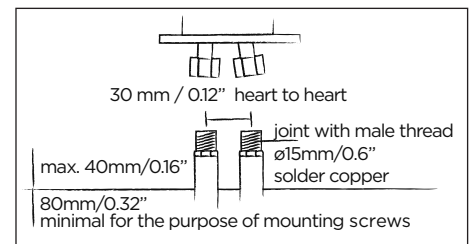
down - waterflow off

up - waterflow on



left - hot

right - cold



Article code: **300-6210** (brushed)  
**300-6211** (polished)

Material: Stainless Steel r304

Cartridges: Sedal ceramic mixing mechanism (35mm), item code **005-0101** and JEE-O ceramic diverter mechanism, item code **005-0302**

Cleaning: JEE-O protect

Connection: 2 x G 1/2" (ø15mm / 0.6") nylon<sup>(out)</sup>/epdm<sup>(in)</sup> flexhose with brass swivel

Thread: British Standard Pipe (BSP)

Flexhose: 150 cm length

Flow at water of 38°C / 100,4°F: 11l / 3,2gal p/m at 3bar presure

Dimension package: L 158 x W 18 W 54 x H 21 cm

Total weight: 13.1 kg / 29.0 lbs

Package weight: 2.8 kg / 5.9 lbs

Placing on a water-tight floor

2 year warranty

HS code: 84818011900

